

# MultiFlame

Long range  
Wide field of view  
Through lens optical check

## DM-TV6-T Multi-spectrum IR Flame Detector

The MultiFlame DM-TV6-T is a multi-spectrum infrared flame detector using three wavelengths. DM-TV6-T responds to hydrocarbon fires and is the right choice for operation in dirty environments or for detection of smoky fires.

### Description

The DM-TV6-T is designed to respond to unwanted hydrocarbon fires, whilst maintaining a high degree of false alarm immunity.

The device offers a wide range of output options, as standard and is suitable for use in SIL 2 applications. The unit may be interfaced directly with a wide range of fire panels, controllers and PLC's etc.

The unit is fully configurable using a wireless handheld terminal (TLU) giving true flexibility to the installer. Time delays, sensitivity and output configuration are all set up via the TLU, hazardous area approved handheld unit.

Wireless testing of the optical and output circuits is also possible using the TLU too.

### Applications

- Refineries
- Drilling and Production Platforms
- Fuel Loading Facilities
- Compressor Stations
- LNG/LPG Processing and Storage
- Gas Turbines
- Chemical Plants
- Aircraft Hangars
- Sports Stadia / Atria

### Features

Multi-spectrum infrared flame using three wavelengths

Long range (80m, 260 feet) and wide (110°) field of view

Wide operating temperature

Relays and 4-20mA output

Through lens optical check

ATEX / IEC Ex Approved

Selectable sensitivity and time delays

Flexible mounting arrangement

Wireless detector configuration and testing

### Benefits

Suitable for detecting smoky fires in dirty environments

Fewer detectors needed due to enhanced fire detection coverage

Suitable for most environments

Standard industry interfaces

Ensures proper device operation

Suitable for use in hazardous areas

For configuration to each application

Ease of installation and cabling

Minimises the need for direct detector access



Wireless (IR) Handheld Terminal

## Technical Data

### GENERAL

|                              |                                   |
|------------------------------|-----------------------------------|
| Technology                   | Multi-spectrum Infrared           |
| Fire Types                   | Hydrocarbon fires                 |
| T10 Module (Standard Range)  |                                   |
| Range, n-heptane             | 40m (130ft) 0.3x0.3m (1 sq ft)    |
| Range, gasoline              | 33 m (110 ft) 0.3x0.3 m (1 sq ft) |
| T00 Module (Very Long Range) |                                   |
| Range, n-heptane             | 80m (260 ft) 0.3x0.3m (1 sq ft)   |
| Range, gasoline              | 65 m (210 ft) 0.3x0.3 m (1 sq ft) |

### OUTPUT SIGNAL

|            |   |
|------------|---|
| Standard   | 4-20mA, max. load impedance 700Ω (Std.) |
| PLC option | 0-22mA (Option for PLC's)               |
| Syntel     | Lonworks                                |
| Alarms     | 2 x configurable Relays max 1A / 30V    |

### ELECTRICAL

|                   |  |
|-------------------|--|
| Power supply      | 24V DC, range (18 - 32V DC)  |
| Power consumption | 70 mA normal; 155 mA during test   |
| Connection        | 0.3 mm <sup>2</sup> (22 AWG) - 2.5 mm <sup>2</sup> (12 AWG)<br>Shielded cable recommended. |
| MTBF              | 65300 h  |

### ENVIRONMENTAL

|           |   |
|-----------|---|
| Storage:  | -40°C to +70°C (-40°F to 158°F)                                 |
| Operation | -20°C to +60°C (-4°F to 140°F)                                  |
| Humidity  | 95% RH (non-condensing)   |
| Ingress   | IP66  |
| RFI/EMI   | Complies with EN50081-1, EN50081-2,<br>EN50082-1 and EN50082-2. |

### EXPLOSION PROOF HOUSING

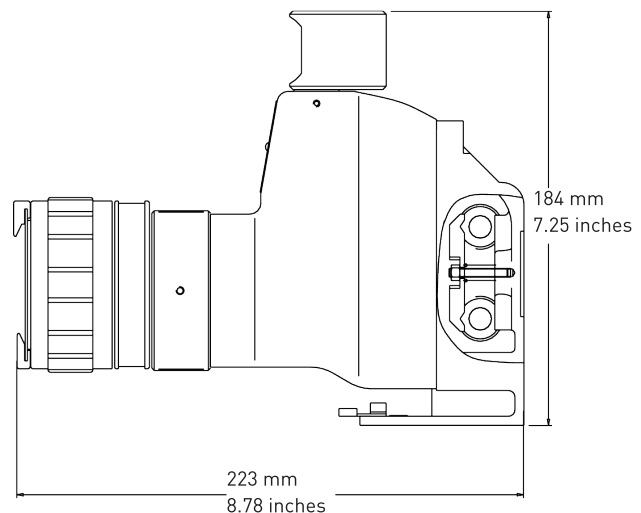
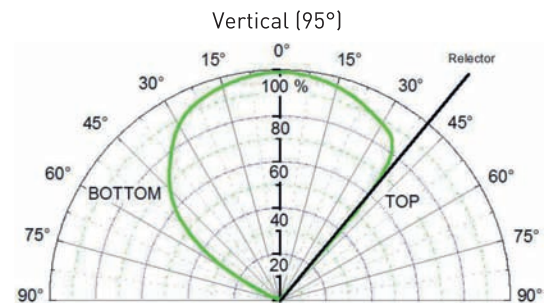
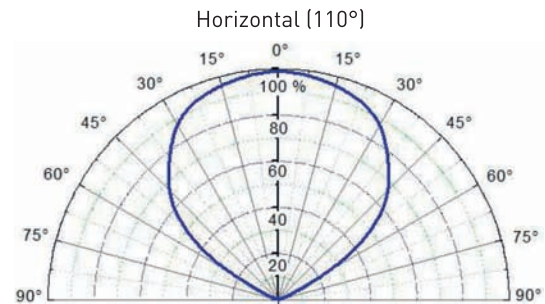
|            |   |
|------------|---|
| Material   | Epoxy coated aluminium (std)<br>316 L stainless steel (option)  |
| Weight     | 3.3 Kg (7.3 lbs) aluminium<br>7.4 kg (16.3 lbs) stainless steel |
| Dimensions | 223 x 118 x 184 mm (L, D, H)<br>8.78" x 4.65" x 7.25" (L, D, H) |

### APPROVALS

|       |  |
|-------|--|
| ATEX  | ATEX II 2 G Ex d II C T6<br>Certificate number: LCIE03ATEX6263 |
| IECEX | IECEX LCI09.0018   |

### ACCESSORIES

- TLU600 Wireless configuration tool
- Sun shade
- Multi-position angle wall mounting
- Pivot ball mounting bracket



Tel: 55 21 3575-3700 | www.use.com.br