

# MultiTox

Flexible  
Easy maintenance  
IS Cartridges

## DMI-TT6/T06 Toxic or Oxygen Gas Detector

The MultiTox DMI-TT6/T06 is an intelligent gas detector employing a wide array of sensor types. The TT6 is used for toxic gases whilst the T06 is used for Oxygen monitoring. The units are designed with ease of operability and maintainability at their core.

The DMI-TT6 and DMI-T06 are constructed from a common housing and electronics with the detection properties being determined by the type of sensor (cartridge) used. A wide range of cells are available, including hydrogen sulphide, ammonia and carbon monoxide to name a few. The cells are intrinsically safe, and may be replaced with the detector powered. This versatile housing is also used for our flammable (catalytic) gas detector as well our semiconductor (MOS) detector - although these units are certified flameproof, not intrinsically safe - see separate datasheet.

The intelligent, microprocessor driven unit is fully configurable using a wireless handheld terminal (TLU) giving true flexibility to the installer. Elements such as relay operation and alarm levels are all set via the TLU, hazardous area approved handheld unit.

The device offers a wide range of output options as standard and is suitable for use in SIL 2 applications. The unit may be interfaced directly with a wide range of panels, controllers and PLC's etc.

The DMI-TT6 and DMI-T06 may be used in refineries, offshore drilling and production platforms, processing and storage plants as well as chemical plants.

### Features

Standard detector platform

Auto heating of EC cell

Hot change of cells

Wireless, non intrusive testing by as single technician

Hand held maintenance terminal

"No-touch" field cabling

Wide range of detector outputs

### Benefits

Wide range of cells

Suitable for low temperature

Minimises system down time

Reduced site personnel costs

End to end loop testing

Detector can be replaced without disassembling the cable glands

Local visual indicators, relays and 4-20mA output as standard



Wireless (IR)  
Handheld Terminal

## Technical Data

### GENERAL

Technology	Electrochemical cell
Gases detected	See table below
Range	See table below

### MTBF DATA

Toxic (TT63)	67,500 hours
Oxygen (TO63)	69,500 hours

### OUTPUT SIGNAL

Standard	4-20mA, max. load impedance 700Ω (Std.) [600Ω with optional LCD display] 2 x configurable Relays max 1A / 30V
option	0-22mA (Option for PLC's)
option	Lonworks (Syntel)

### ELECTRICAL

Power supply	24V DC, range (18 - 32V DC)
Power consumption	30 mA normal; 180 mA when heating
Connection	0.3 mm <sup>2</sup> (22 AWG) - 1.5 mm <sup>2</sup> (12 AWG) Shielded cable recommended.

### ENVIRONMENTAL

Storage	-40°C to +70°C (Electronics) 0°C to +20°C (Cartridge / Cell)
Operation	See table below
Humidity	15 to 99% RH (non-condensing)
Pressure	Atmospheric pressure +/- 10%
Ingress	IP66
RFI/EMI	Complies with EN50081-1, EN50081-2, EN50082-1 and EN50082-2.

### HOUSING

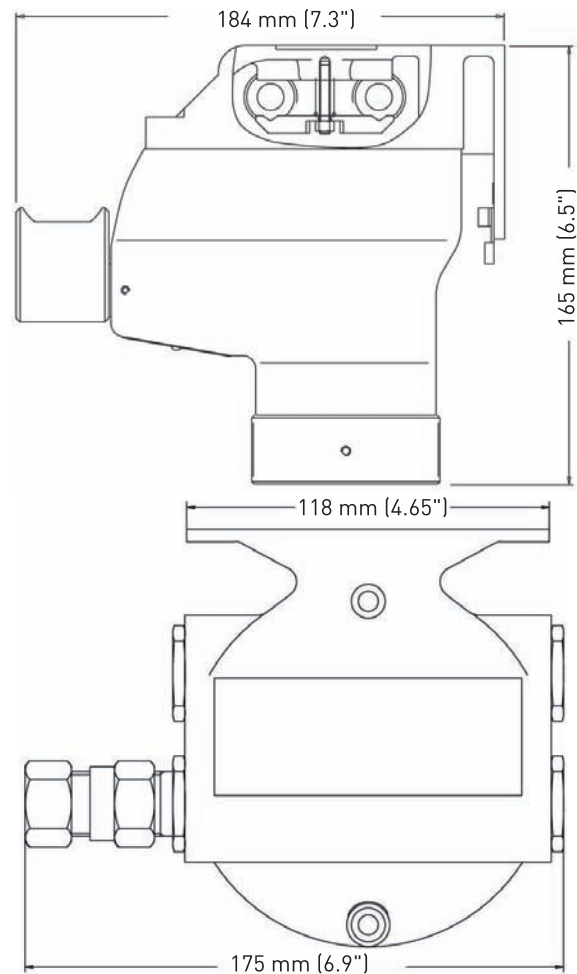
Material	Epoxy coated aluminium (standard) 316 L stainless steel (option)
Weight	1.8 Kg (4 Lbs) Aluminium 6.5 kg (14.3 Lbs) Stainless steel

### APPROVALS

ATEX	ATEX II 2 G EEx d ia II C T6
Temperature range	-20°C to +60°C
Certificate number	LCIE03ATEX6262X

### CELL WARRANTY

Toxic (TT63)	24 months
Oxygen (TO63)	12 months



### ACCESSORIES

- TLU600 Infrared remote control unit
- Sunshade
- Calibration cup
- Sample flow housing
- Splash guard
- Calibration kit
- LCD Display

GAS	O <sub>2</sub>	H <sub>2</sub> S	NH <sub>3</sub>	CO	NO	NO <sub>2</sub>	H <sub>2</sub>	SO <sub>2</sub>	Cl <sub>2</sub>	HCl	HCN
Range (ppm) (except O <sub>2</sub> % Vol.)	0-5 0-25 0-100	0-20 0-50 0-100 0-200	0-50 0-100 0-1000	0-100 0-200 0-500 0-1000	0-100	0-20	0-1000 0-2000 0-10000*	0-100 0-100	0-10 0-20 0-50	0-50 0-100	0-50
Zero drift in % scale	< 0.1	< 1	< 3	< 2	< 3	< 0.5	< 1.5	< 1	< 0.5	< 3	< 1
T 90 (seconds)	< 20	< 45	< 120	< 35	< 20	< 45	< 50 * < 70	< 30	< 30	< 160	< 40
Cell lifetime (months)	12 to 18	24	18	18	36	24	24	24	24	24	18
Temperature °C	-10 / +40	-20 / +50	-20 / +40	-20 / +50	-20 / +50	-20 / +50	-20 / +50	-20 / +50	-20 / +40	-20 / +50	-20 / +40



Tel: 55 21 3575-3700 | www.use.com.br