



Simple Precision™



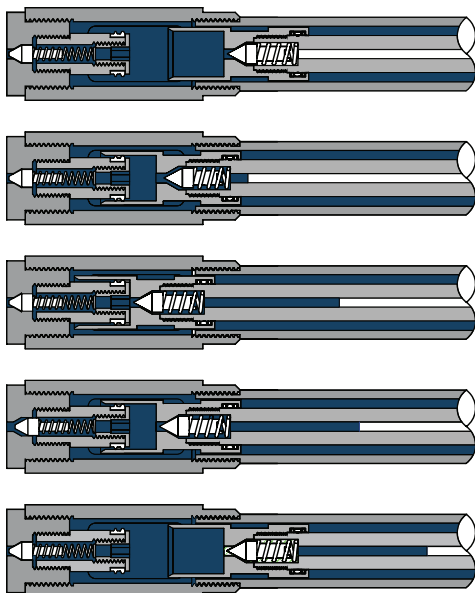
KAM® IAS™ INSERTABLE

KAM® IAS™ ISOKINETIC AUTOMATIC SAMPLER PER API 8.2, ASTM D4177 AND ISO 3171

Employing the **simplest design in the industry**, the KAM® IAS™ Isokinetic Automatic Sampler is the ideal instrument for pipeline sampling during custody transfer. The IAS™ sampler's high degree of accuracy and simplicity facilitate extracting a **representative sample for custody transfer, regardless of viscosity, pressure, or flow rate.**

The IAS™ sampler easily extracts a representative sample from your pipeline into a KAM® SR™ Sample Receiver. With a KAM® CSM™ Circulating Sample Mixer, you may then mix and analyze the sample for custody transfer, API gravity measurements, shrinkage, chemical composition, etc.

SAMPLING SEQUENCE



KEY KAM® ADVANTAGES

- Meets API 8.2 and ISO 3171
- Simplest design in the industry
- Fully insertable
- No system shut downs
- 0.5 - 3 ml sample per bite
- Standard seals and O-rings
- Pneumatic or hydraulic drive
- Very low maintenance
- Two-year warranty

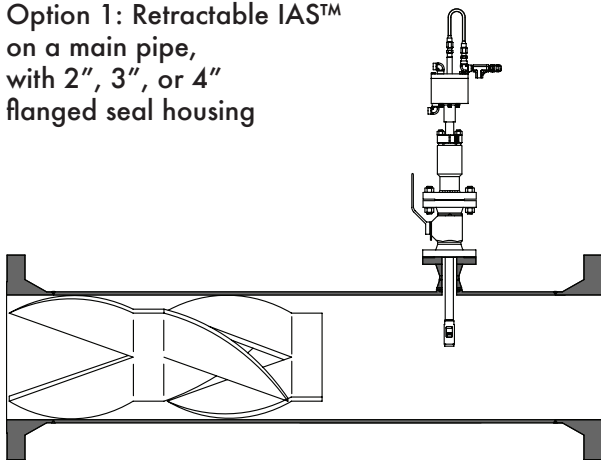
APPLICATIONS

- Custody transfer
- Truck loading, unloading
- Marine loading, unloading, lightering
- Pipeline
- Production
- Refinery
- Research
- Power plant fuel oil

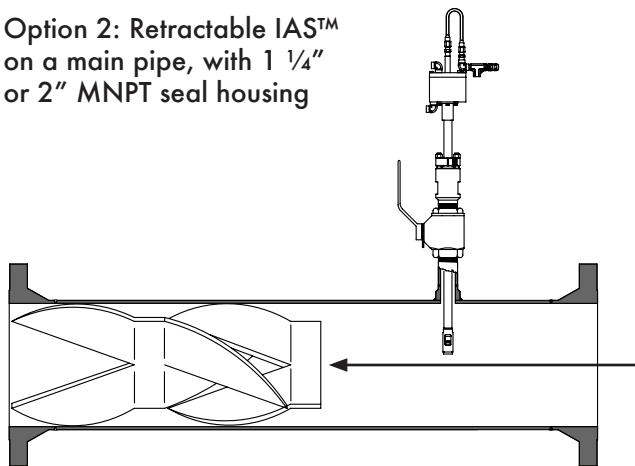
KAM CONTROLS IS AN ISO 9001 CERTIFIED COMPANY

AVAILABLE MODELS and MOUNTING OPTIONS

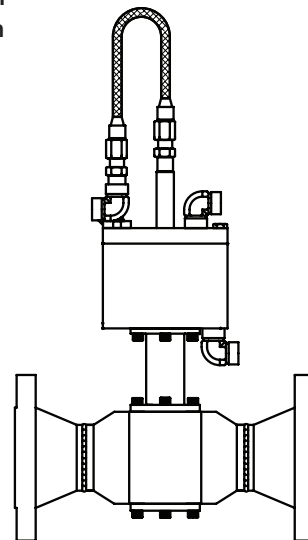
Option 1: Retractable IAS™
on a main pipe,
with 2", 3", or 4"
flanged seal housing



Option 2: Retractable IAS™
on a main pipe, with 1 1/4"
or 2" MNPT seal housing



Option 3: IAS™ FT
Flow Through with
2" 150# flanges



Recommended
KAM® SMST™
Static Mixing Spool

SPECIFICATIONS

Media:	Crude oil, refined products, chemicals, water and wastewater
Material:	316SS shaft, 304SS piston, teflon seal
Fluid temperature:	-40° to 350°F (-40° to 177°C)
Power:	Air pneumatic, hydraulic
Sample size:	0.5 ml - 3 ml (Please specify)
Repeatability:	Exceeds API 8.2
Mounting:	Main line - 1 1/4" MNPT, 2" MNPT seal housing, or 2", 3", or 4" flanged seal housing Fast loop - 1/4" FNPT
Pressure ratings:	ANSI 150, 300, 600, 900
Probe dimensions:	1.25"h x 3.1" (32mmh x 79mm)
Shaft length:	30" (Other sizes available)
Pipe size:	2" to 96"
Weight:	From 30 lbs. (13.6kg)



WWW.KAM.COM



Email Sales@Kam.com

Tel +1 713 784 0000

Fax +1 713 784 0001